

BOSSTM

Copperad[®]

**RT1/RT2
THERMOSTAT**

(50080646)

Datasheet



OVER
100 YEARS
OF QUALITY

PRODUCT DESCRIPTION

This is an easy-to-use MECHANICAL THERMOSTAT. It allows an accurate room temperature adjustment in the hosting room, thus meeting any users' needs as far as room comfort.

CONFORMITY TO THE STANDARDS

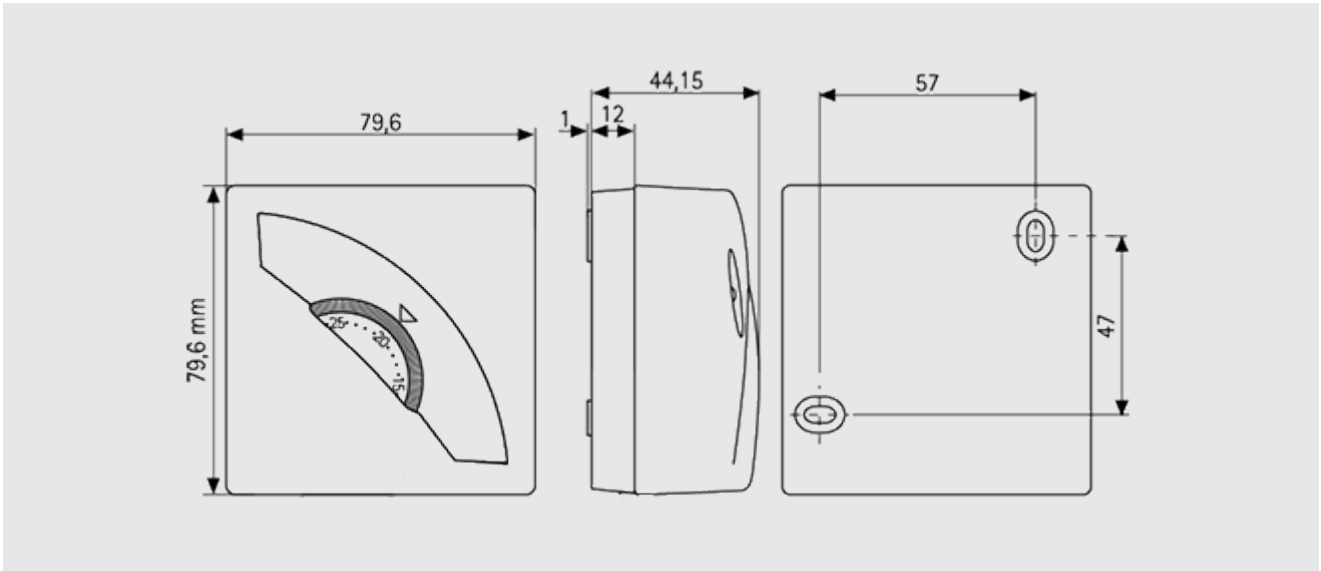
This product complies with:

- EN 60730-1 and subsequent revisions
- EN 60730-2-9

CONFORMITY TO THE GUIDELINES

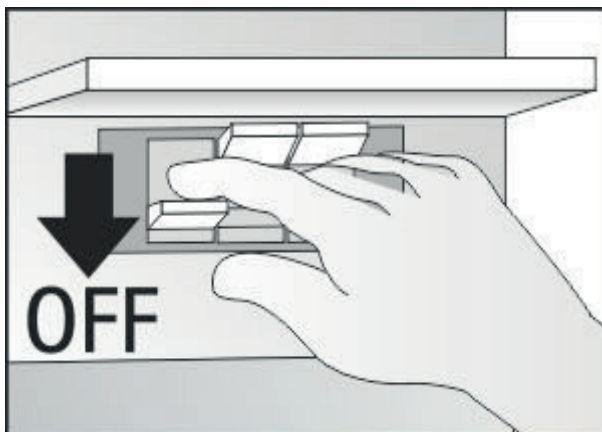
This product complies with:

- LVD 2014/35/EU
- Class ErP I (+1%) - EU 811/2013



TECHNICAL SPECIFICATIONS

Maximum capacity of the contacts	16(2,5)A/250V~
Type of action	1B
Temperature regulation range	5°÷30°C
Temperature differential	0,4K±0,8K
Output	switching contacts
Degree of protection	IP 20
Insulation class	Double insulation
Pollution degree	2
Storage temperature	0°÷50°C
Rated impulse withstand voltage	4kV
Installation	to the wall
Temperature rate of change	1K/15min.



It is recommended to install the appliance strictly in compliance with all safety and law provisions in force.

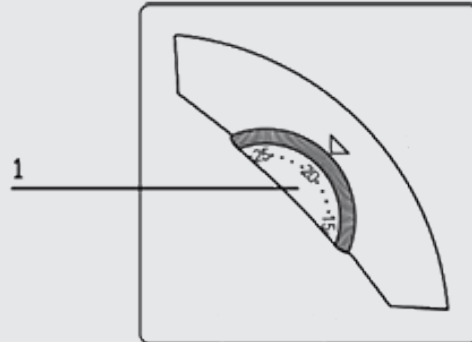
Before connecting the thermostat, make sure that the supply voltage of the UNIT TO BE CONTROLLED (boiler, pump, air-conditioning system, etc.) is NOT CONNECTED and that it matches the indication given inside the appliance (250V~ max).

In case of repeated malfunctioning, please call our Technical Service. Do not tamper for any reason with any part of the thermostat.

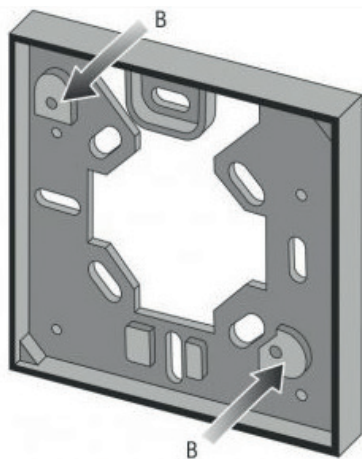
THERMOSTAT CONTROL KEYS

1 = Temperature setting knob

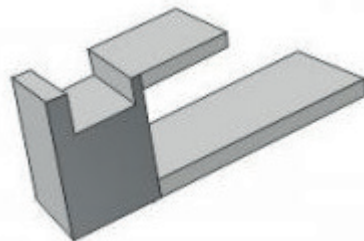
TA3



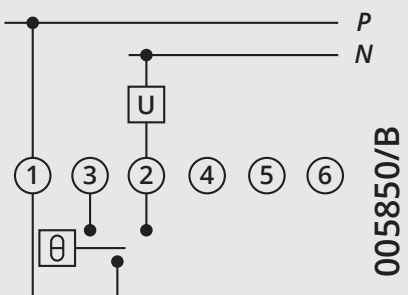
OPTIONAL ACCESSORIES



Sub-base fitting = cod. 004095



Special fitting for temperature range restrictions or for the temperature lock at a pre-set value. = cod. 000071



005850/B

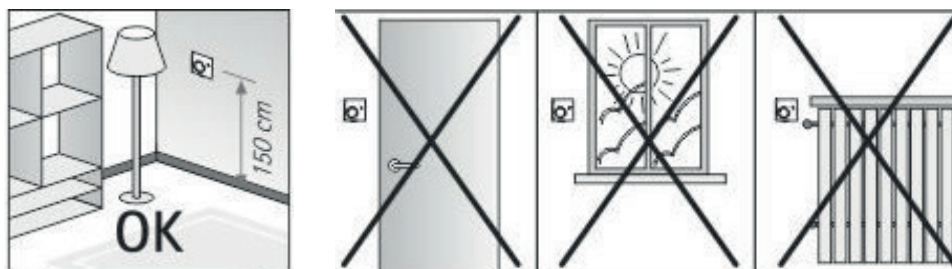
TA3 546070
 IP20 1-2 °C
 1K/15 min T50
 16(2.5)A/250V~



INSTALLATION

Placement of the Thermostat

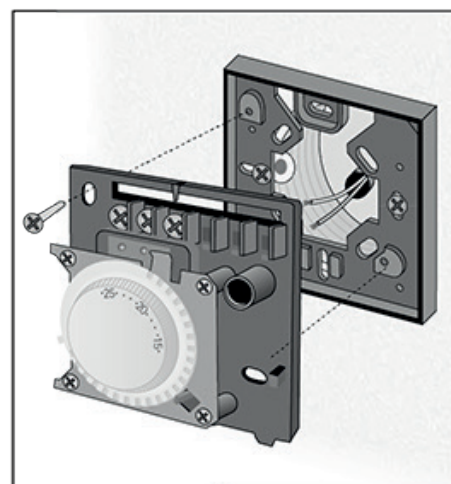
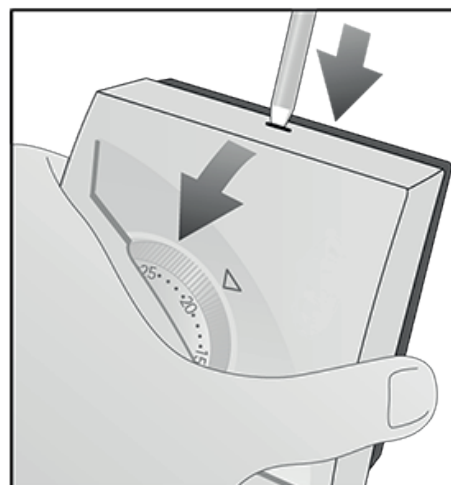
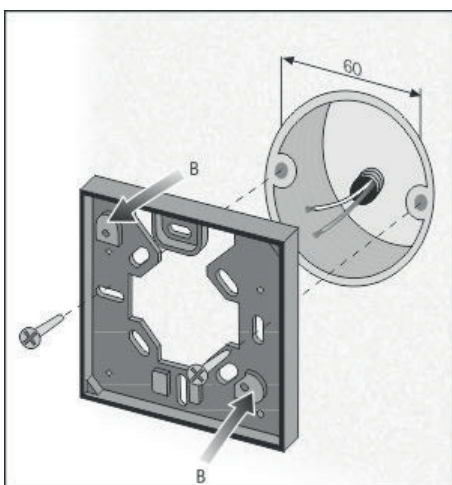
Install the thermostat away from heat sources (radiators, sunrays, and kitchens) and away from doors/windows, at approx. 1.5 m height from the floor.



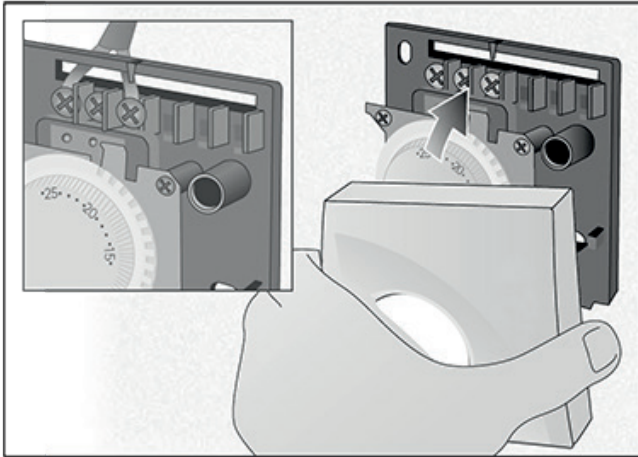
Installation and Wiring Connections

1. In case the thermostat shall be installed either in a round built-in box (having distance between centres equal to 60mm), or on an uneven wall surface or in other particular locations, it is recommended to use a sub-base fitting (see paragraph "Optional Accessories"). Fix the fitting to the wall through two holes other than the ones marked as B-B, which are exclusively provided for the thermostat installation.

2. Remove the front cover from the thermostat base by releasing the provided clip, then fix it to the wall (or to the sub-base fitting) through the provided holes and tighten it by means of suitable screws having max of 3.5 mm.



3. Thread the power supply wires through the slot in the base and connect them to the terminals as per the wiring diagram sketched inside the appliance. Snap the front cover back.



PROBLEM SOLVING

Problem	Possible Cause	Solution
The system does not start	Wrong wiring	Check if the wiring connections to the thermostat terminals were carried out as per wiring diagram
	The set room temperature has been already reached	Increase or reduce the set temperature value according to the system application (heating/air-conditioning system)
The ambient temperature does not correspond to the temperature set on the thermostat	Incorrect positioning of the thermostat within the room	Follow the instructions of paragraph "Placement of the thermostat"
	Air draughts coming from the electrical wires conduit	Seal the conduit to prevent warm or cold air draughts

BOSS™

Copperad®

**For further technical support,
please contact the BOSS™ Technical Team
on 03330 341920 or email
bosstechnicalteam@bssgroup.com**



BSS Industrial
BOSS™ Technical Team,
Cross Point Business Park, Ashcroft Way, Coventry CV2 2TU
Telephone: 0333 034 1920