

BOSS™

Copperad®

**CMT
THERMOSTAT**

(50080657)

Datasheet



**OVER
100 YEARS
OF QUALITY**

PRODUCT DESCRIPTION

The room temperature is measured using an internal gas filled sensor and then compared with the set point. When the set point is above the room temperature, there is a call for heat and the thermostat switches out on terminal 2. When the set point is below the room temperature, there is no call for heat and the thermostat switches out on terminal 1. Maximum switch rating of 10A at 230V.

CAUTION!

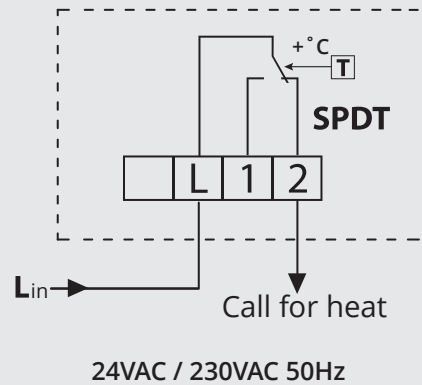
Installation and connection should only be carried out by a qualified person.

- Only qualified electricians or authorised service staff are permitted to open the thermostat.
- If the thermostat is used in a way not specified by the manufacturer, its safety may be impaired.
- Before commencing installation, the thermostat must be first disconnected from the mains.
- If this equipment is installed or used in a way not specified by the manufacturer, its safety may be impaired.





| | |
|-------------------|----------|
| Product Code | CMT |
| Temperature Range | 5 - 35°C |
| Contact | SPDT |
| Lockable Range | Yes |
| Heat Anticipator | No |



SPECIFICATIONS

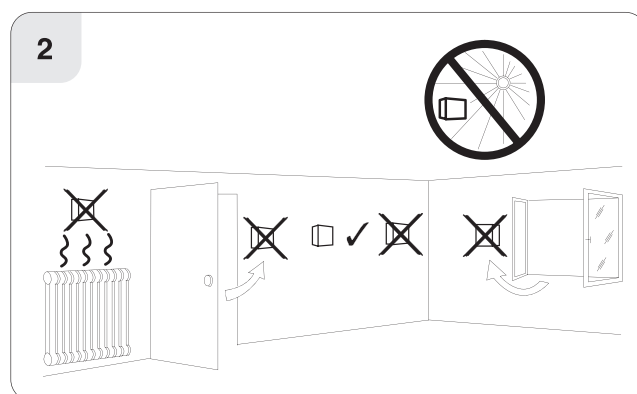
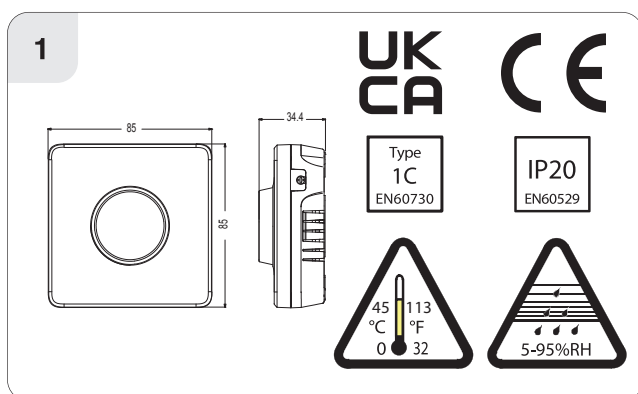
| | |
|------------------------|--------------------|
| Power supply | 230V~, 50Hz, ± 10% |
| Admissible humidity | 5-95%RH |
| Protection class | II (IEC 60536) |
| Switching differential | ± 1°C |
| Degree of protection | IP20 (EN 60529) |
| Pollution degree | 2 |
| Ambient temperature | 0 - 50°C |
| Temperature sensor | Gas filled |
| Weight (KG) | 0.11 approx. |

INSTALLATION

1. Remove the thermostat from its packaging.

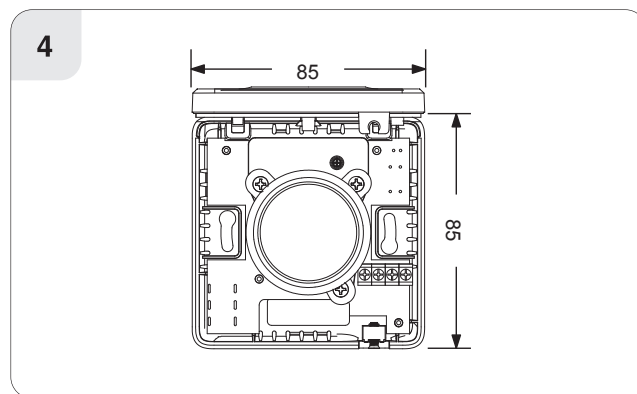
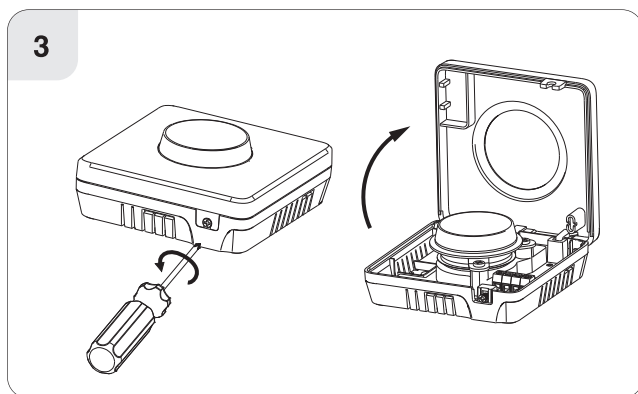
2. Choose a mounting location so that the thermostat can measure the room temperature as accurately as possible.

- Mount the thermostat 1.5 metres above the floor level.
- Prevent direct exposure to sunlight or other heating / cooling sources.



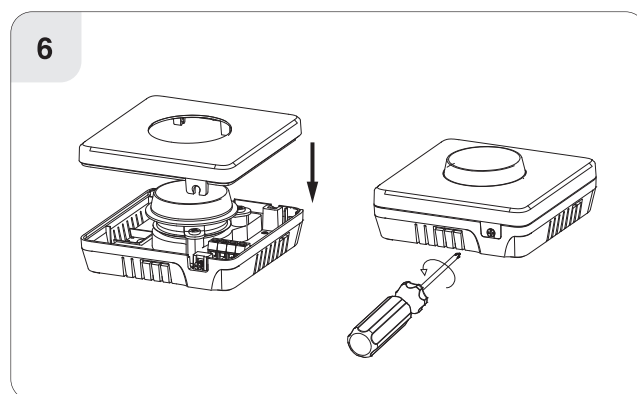
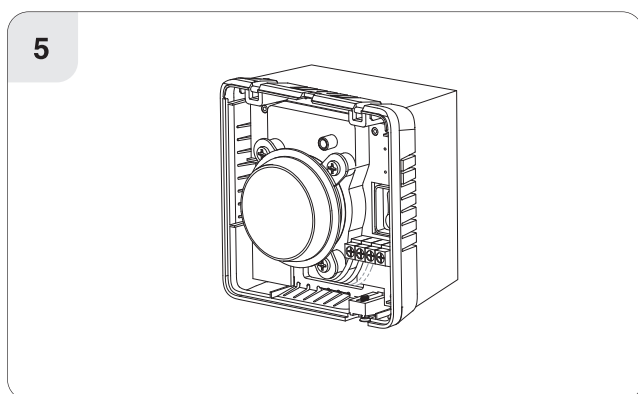
3. Use a philips screwdriver to loosen the screw on the bottom of the thermostat to open the front housing.

4. Screw the backplate onto a back box or directly to the surface.



5. Wire the thermostat according to the wiring diagrams on pages 2 & 3.

6. Close the front housing and tighten the screw on the bottom of the thermostat.



BOSS™

Copperad®

**For further technical support,
please contact the BOSS™ Technical Team
on 03330 341920 or email
bosstechnicalteam@bssgroup.com**



BSS Industrial
BOSS™ Technical Team,
Cross Point Business Park, Ashcroft Way, Coventry CV2 2TU
Telephone: 0333 034 1920